

**OUTDOOR
REVOLUTION** 
WWW.OUTDOOR-REVOLUTION.COM

FOLDING CAMPING TABLE AND BENCH SET

PROCUCT CODE - FUR2040



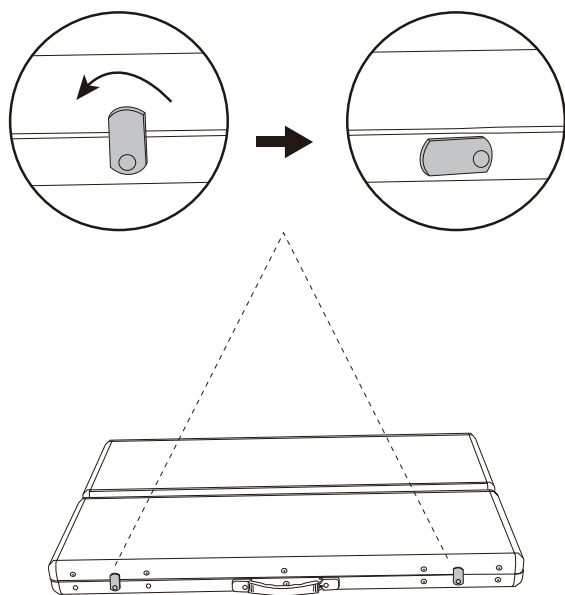
**PLEASE READ & SAVE THIS INSTRUCTION MANUAL TO ENSURE
SAFE, EFFECTIVE OPERATION & CORRECT PRODUCT CARE**

www.outdoor-revolution.com

Aluminium Camping Table & Bench Set

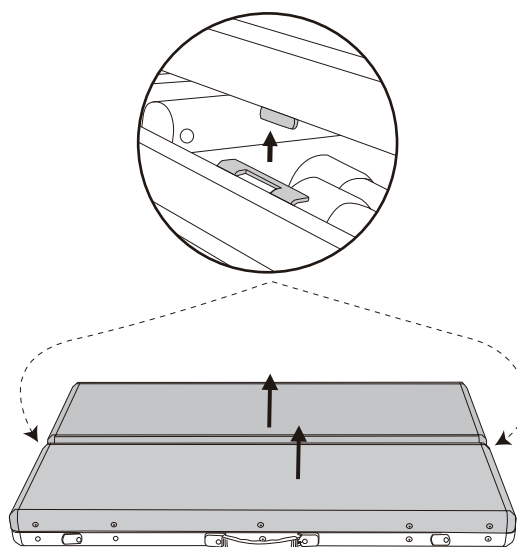
SET UP INSTRUCTIONS

Step 1



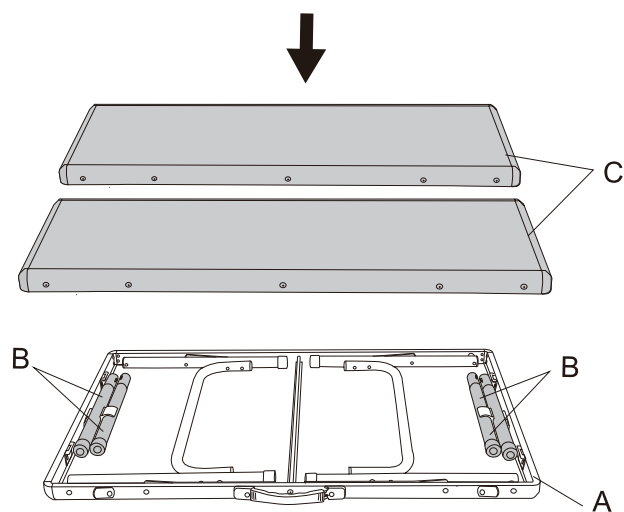
Open the latches.

Step 2



Detach the folded benches from the folded table.

Step 3

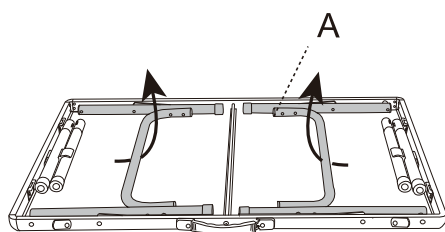


Now the set is ready for setup.

Aluminium Camping Table & Bench Set

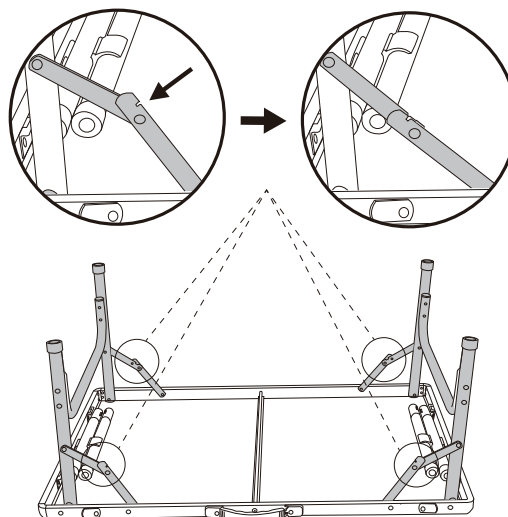
Table Setup

Step 1



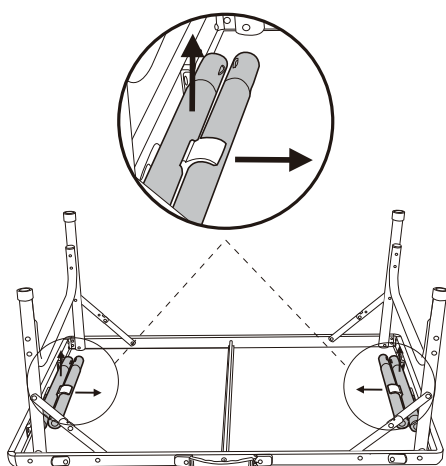
Open the table legs.

Step 2



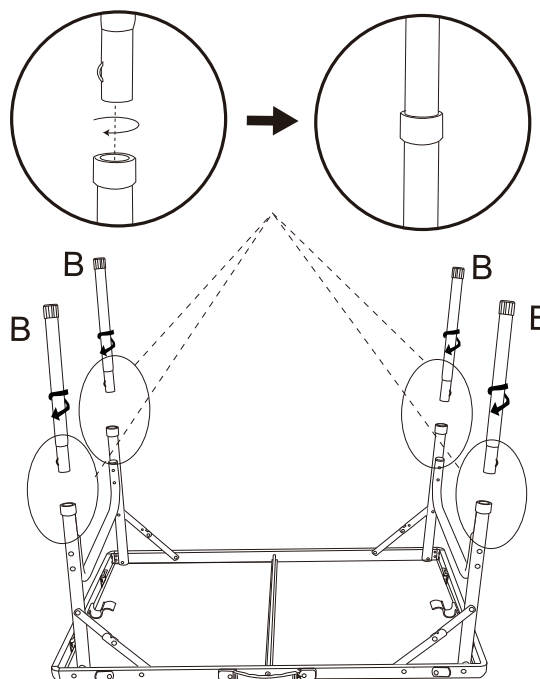
Push the hinges into place.

Step 3



Detach the table leg tubes.

Step 4

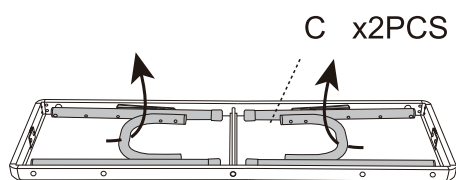


Push them into the upper table legs until they are securely fixed.

Aluminium Camping Table & Bench Set

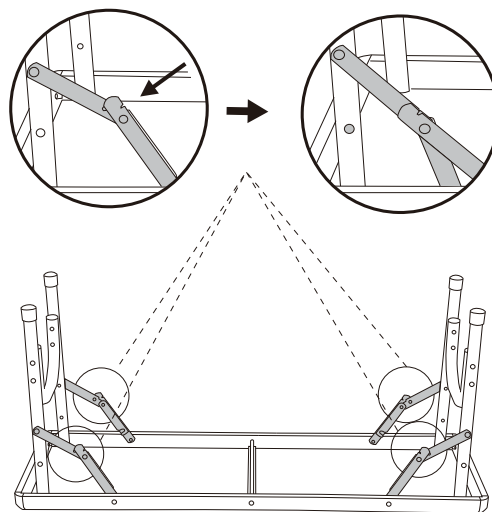
Bench Setup

Step 1



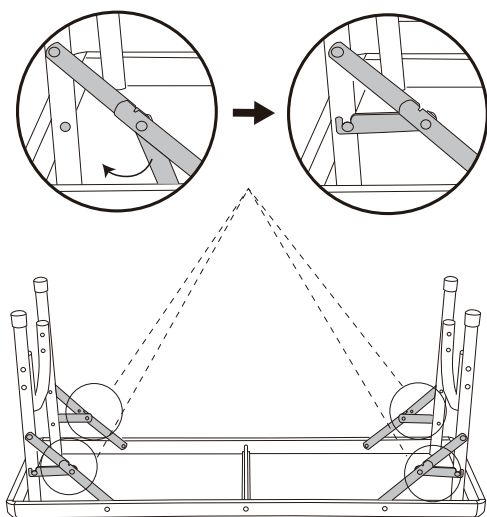
Open the bench legs.

Step 2

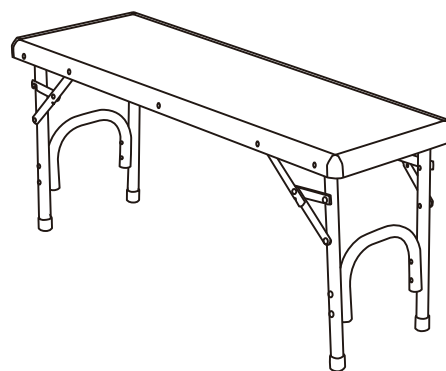


Push the hinges into place.

Step 3



Lock the hinges with safety latch.

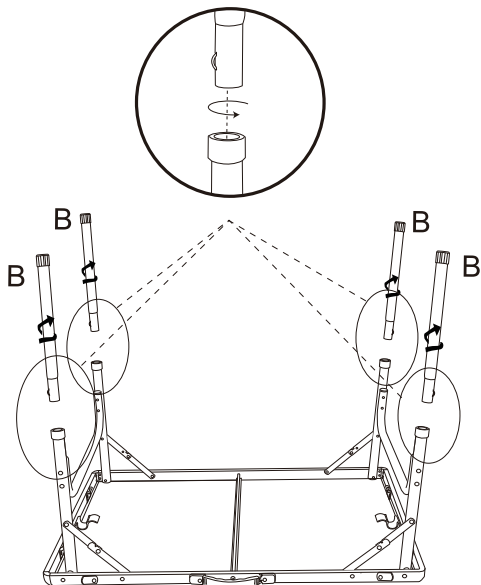


Set up is now completed.

Aluminium Camping Table & Bench Set

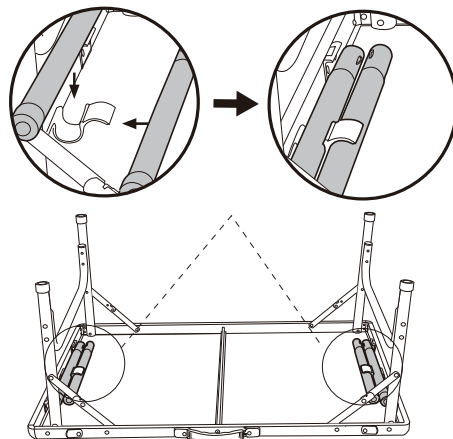
Table Disassembly

Step 1



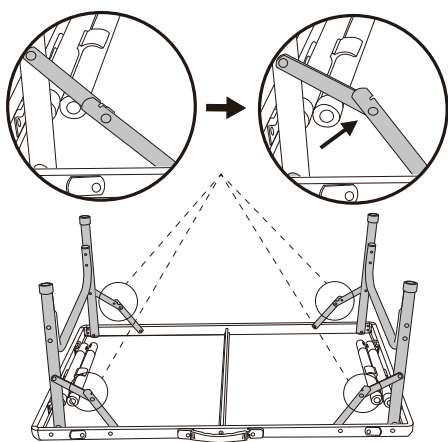
Take off the table legs.

Step 2



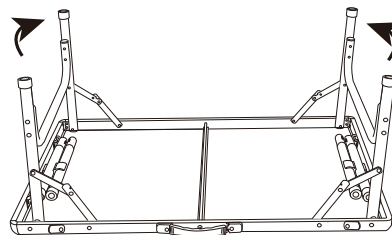
Click them into the clips.

Step 3



Release the hinges.

Step 4

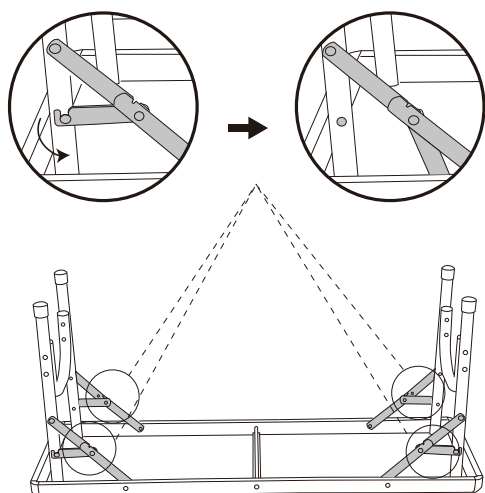


Fold away the table legs.

Aluminium Camping Table & Bench Set

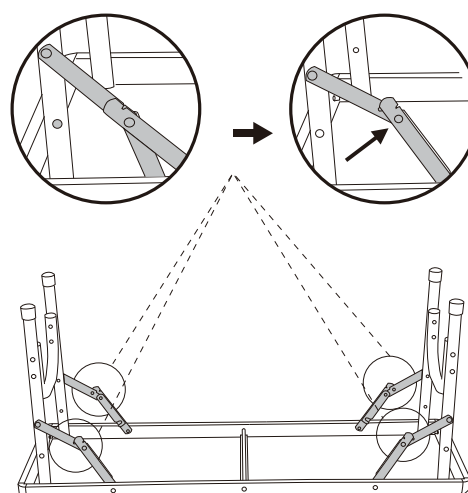
Bench Disassembly

Step 1



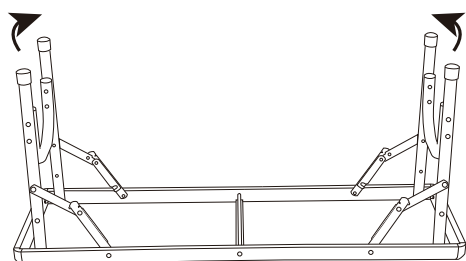
Unlock the safety latches from the hinges.

Step 2



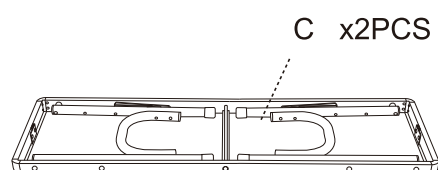
Release the hinges.

Step 3



Fold away the bench legs.

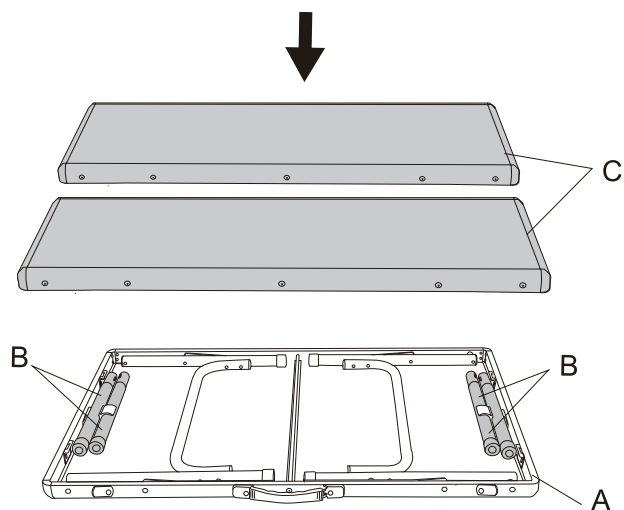
Step 4



Aluminium Camping Table & Bench Set

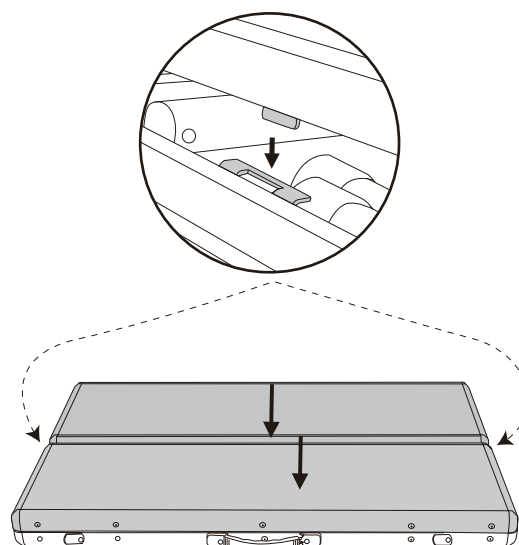
INTERLOCK THE BENCH TO THE TABLE

Step 1



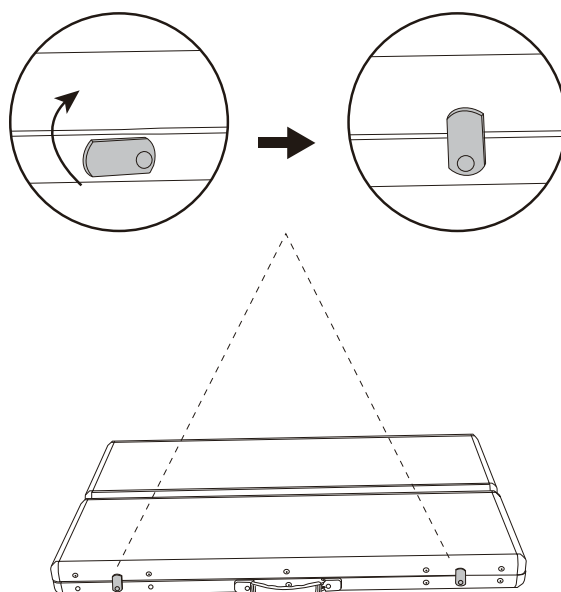
Now the set is ready for interlocking.

Step 2



Interlock the folded benches to the folded table.

Step 3



Lock the latches.

CORRECT USE INFORMATION & ADVICE

CONGRATULATIONS IN YOUR EXCELLENT PURCHASE OF THIS OUTDOOR REVOLUTION ALUMINIUM FOLDING CAMPING TABLE & BENCH SET. FOLLOWING THE INSTRUCTIONS & CARE ADVICE WITHIN THIS MANUAL WILL HELP TO GIVE YEARS OF SERVICE FROM THIS PRODUCT FOR YOUR ENJOYMENT.

USING

Be sure to follow the correct assembly instructions as detailed in this manual.

Always ensure that the product is not left outside in wet /damp conditions to prevent possible delamination of the table and bench laminated surfaces.

CLEANING

Clean with a damp cloth and mild detergent.

The table top may be cleaned for use with an antibacterial spray and then dried with a paper cloth or kitchen towel

STORAGE

Always store in a dry area in its own carry bag for protection.

Do not place any heavy items on top during storage.

WARNING!

Table max loading: 50kg

Bench Loading Weight Capacity: 150kgs per bench (per average seat 75kgs)

Exceeding 100kgs (per average seat) may cause damage to the bench and /or personal injury.

Do not use until the legs are fully opened with safety struts in the locked position.

USE WITH CARE!

Should you have any concerns or issues regarding the operation of this product, please contact:

Outdoor Revolution Customer Service helpline:

TEL +44 (0) 1924 455313 or email: cs@blue-diamond-products.co.uk



**A TRUSTED
BRITISH BRAND**

**OUTDOOR
REVOLUTION**  **WWW.OUTDOOR-REVOLUTION.COM**

Outdoor Revolution

**Unit 1 Brick Park, Bretfield Court, Bretton Street Industrial Estate, Dewsbury, WF12 9BY
T: +44 (0) 1924 455313**

MADE IN CHINA