

Thank you for purchasing an "Outdoor Revolution" product, this product will give years of satisfactory service if basic instructions are followed; our products are designed for durability and ease of erection.



WWW.OUTDOOR-REVOLUTION.COM

UNIT 1 BRICK PARK
BRETFIELD COURT
BRETTON STREET INDUSTRIAL ESTATE
DEWSBURY
WEST YORKSHIRE
WF12 9BY



FLEX

INSTRUCTIONS & CARE MANUAL



IMPORTANT: PLEASE CHECK YOUR EQUIPMENT

1 X 100D REFLECTIVE POLYESTER FLYSHEET (OR OUTER)

1 X DURA-TECH SINGLE INFLATION POINT FRAME

1 X DUAL-ACTION HAND PUMP

1 X REPAIR KIT

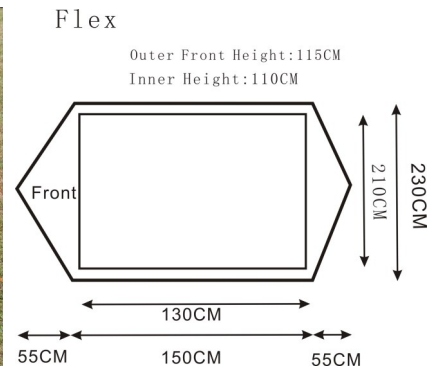
1 X HOLDALL

1 X TWO-BERTH INNER TENT (INTEGRAL)

STEEL GROUND PEGS

REFLECTIVE GUYLINES

LUMI-LITE HANGING POINTS



We highly recommend that you insure your tent against storm damage or accidental damage, as the warranty does not cover such eventualities. The manufacturer IS NOT liable for any damage caused to the tent or its contents, because of misuse, incorrect pitching or extreme weather (full warranty details on rear of booklet).

THE WARRANTY (CONTINUED...)

- Flaws in the fabric caused by excessive use.
- Imperfections and pulls in mesh doors due to wear and tear.
- Water ingress through fabric, as a result of UV degradation.
- Water ingress through seams, caused by excessive abrasion of seams or taped seam.
- Broken zips, caused by over tensioning, forcing or snagging.
- Over tensioned/stretched seams coming apart.
- Buckles subjected to undue force or abrasion.
- Lost/popped out eyelets.
- Broken holdalls.
- Pole breakages or tube punctures (where applicable).
- Collateral damage from a pole breakage .
- UV degradation.
- Condensation, (a natural occurrence, exacerbated by insufficient ventilation opening).
- Consequential damage/loss to property/belongings (either inside or outside of the product) or shortening of holidays

Outdoor Revolution work very closely with our retail partners to manage all warranty repairs/issues:

**Please contact your retailer immediately (even if purchased online), if you feel your "Outdoor Revolution" product has a genuine warranty issue. The retailer, in turn, will raise the issue with ourselves and we will action, with the retailer, according to the nature of the claim.

**Please ensure that the product is clean and dry and as close to its original condition as possible, before sending back for checking.

**Wet or dirty products will not be accepted back for checking/warranty claims.

** It is important to note that the sales contract between yourself and the retailer you purchased the "Outdoor Revolution" product from, remains valid throughout any warranty claim and your statutory rights are not affected.

OUTDOOR REVOLUTION GUARANTEE

“Outdoor Revolution” products are designed and produced to the highest possible manufacturing standards. The best quality fabrics and components available are used for each specific item and a rigorous checking process of finished products is in place.

All finished products are:-

- Checked for and are free of minor defects
- Are fit for the purpose/use that they are intended
- Are of a satisfactory quality

It is important that correct care is taken when opening, erecting, using and just as importantly, packing away the product. Following these rules will keep your product in reliable working condition for many years. Failure to adhere to these simple guidelines may cause unnecessary damage to the product (see formal instructions for hints and tips on handling/erecting the product). A repair kit is included with the product to help resolve any minor issues.

THE WARRANTY

The “Outdoor Revolution Warranty” lasts for 12 months from the original date of purchase (please keep all receipts or copies of any relevant transaction to substantiate the purchase date). The warranty only covers workmanship and fabric/components. Any faults found within 6 months of purchase will be investigated by “Outdoor Revolution”. Faults found outside of the initial six months of purchase will need to be proven by you, the purchaser, in line with current consumer legislation, after the short term right to reject has ended.

Retailer will not refund a purchase if no fault is found.

Product warranty must be registered **BEFORE** use, via: www.outdoor-revolution.com and as soon as possible from the date of purchase.

The manufacturer’s warranty does not cover the following:-

- General wear and tear over extended periods of use or seasonal pitching of the product.
- Accidental damage caused by but not exclusive to, humans, animals or weather.

IMPORTANT INFORMATION

- ◆ Please do not leave for your holiday without fully erecting and checking you have all the contents for your tent. If you are missing anything please contact your retailer immediately before use.
- ◆ Please also note that man-made fabrics are prone to condensation when the warm air and moisture inside the tent comes into contact with the colder air outside of the tent fabric. You may also experience condensation in the tube sleeves. This is a perfectly natural occurrence and should not be confused with leaking. Ensure all ventilation points are open whenever possible to help combat condensation.
- ◆ Ideally erect your tent for some period before use - allowing it to weather. ‘Weathering’ can require a few uses of the tent before it becomes fully effective. Seam sealant can be used to solve any persistent weeps; this process is completely normal. ‘Weathering’ is the process of allowing your canvas product get wet, then dry approximately two to three times in order to strengthen and further waterproof the seams and stitching on the fabric.
- ◆ Make sure that before erecting, you site the tent on clear, level ground with no sharp objects underneath and all zips fully closed. (We recommend laying a groundsheet down to keep the tent dry and clean).
- ◆ We suggest conducting a trial run of your tent to familiarise yourself with the set up and use of the tent. If you have any issues relating to pitching your tent, please contact your dealer for assistance before going on holiday.
- ◆ Please note this tent is designed as a ‘touring’ tent and not for permanent pitch.
- ◆ After use always dry and air the tent before packing away to prevent mildew or mould.
- ◆ Any dirt or stains can be removed by brushing or gently washing with warm water. DO NOT use detergents as this will destroy the waterproofing on the fabrics.
- ◆ DO NOT cook or smoke in this tent; although the outer fabric is flame retardant treated, it will still melt.
- ◆ In the event of damage; please contact your retailer. If for whatever reason you are unable to contact them please email cs@blue-diamond-products.co.uk and our customer service team will be happy to help!

OPTIONAL ACCESSORIES

- ◆ USB Handy Fan - A convenient portable fan for keeping cool in warmer temperatures.
- ◆ Lumi-Mosquito Light— A handy rain-proof lantern for attracting and killing mosquitos.
- ◆ Lumi-Lite—Waterproof USB charging lights with brightness settings and up to 8 hours battery life with one single charge.
- ◆ Trio Stripe Sleeping Bags & Pillow - Selection of co-ordinating micro-polyester sleeping bags and matching pillow to place In respective pillow envelope.
- ◆ USB 12V Charging Hub - A convenient 12V USB four-point power socket, with internal wind-in cable reel, for charging mobile phones or tablets.
- ◆ Jet Stream Electric Pump/Twin - A high-pressure internal 12V electric air-pump, designed for quick, effortless inflation of 'Oxygen Air-Frames'.

12 MONTH WARRANTY

On workmanship and canvas.

WARNING: Never un-zip the zips on the protective sleeves whilst the air-frame tubes are inflated. This will result in the tube bursting or ballooning out of the sleeve, causing damage to the tube and the sleeve; this is NOT covered under the warranty!

TROUBLE SHOOTING

<u>PROBLEM</u>	<u>REASON</u>	<u>SOLUTION</u>
The air-tube keeps deflating after removing the pump.	The pump was not properly positioned in the 'Boston Valve'.	Pump quickly and ensure the adaptor is fully inside the valve; have someone hold it in place if you are struggling.
Bowing and twisting of the tubes.	The tubes can twist inside the sleeves, particularly when packing away, so next time the tube bows...	Un-zip the sleeve whilst the tube is deflated and re-position the tube.
The tent is leaking.	The tent requires weathering two to three times before it fully seals itself, so you may experience a little bit of weeping. This could also be condensation, an inevitable occur-	Allow the tent to get wet, then dry two to three times. Open all ventilation points to increase air-flow and reduce condensation.

IN THE EVENT OF A PUNCTURE

If you have a small puncture in your air-frame tube, you can easily repair it using the standard puncture repair kit.

- ◆ To remove the air-frame tube - deflate the tube and then unzip the two protective sleeves over the tube and pull the air-tube out. Do not un-zip the sleeves whilst the tube is inflated.
- ◆ Locate and repair the puncture on the air-frame bladder.
- ◆ Place the air-tube back into the sleeves, in the correct place, with the valves in the valve hole; make sure the tube is straight and not twisted.
- ◆ Zip the two sleeves back up fully.
- ◆ Inflate the air-frame tube again, ensuring that the puncture has now been repaired.
- ◆ If this process doesn't work; you may have to buy a new bladder.

Spare air-frame bladders can be purchased to replace damaged ones. Visit the spares section at: www.outdoor-revolution.com, or contact us on: **01924 455313**

****Awnings will not be replaced because of damaged bladders****

PACKING AWAY YOUR TENT

- ◆ Zip up all the windows and doors before deflating.
- ◆ Unpeg the guy lines, storm straps and most of the pegs around the tent, leaving the four corners pegged out.
- ◆ Open the 'Boston Valve' .
- ◆ Unpeg the four corners.



Let the tent collapse on itself; push as much air out of the air-frame and tent as possible.

Fold the tent in on itself (lengthways) to make a rectangular shape.



Then fold the tent in on itself to make a long sausage shape; measure the width of the tent sausage against the bag to make sure it will fit. Start rolling the tent and squishing the air out as you roll.

Roll the already rolled tent onto the bag and pull the sides up around it. Finally, zip-up the bag.



PLEASE READ THE INSTRUCTIONS CAREFULLY

TIP: Refer to the photographs to help when pitching your 'Flex 2'.

1. Spread the flysheet out on the ground next to your caravan, with the cowl side laying parallel to your vehicle.



2. Locate the first 'Boston Valve' and insert the pump into the valve securely.



3. Next, begin to carefully inflate, taking care that no part of the fabric is caught anywhere.



4. Inflate the frame until you can give it a good squeeze; the tube needs to have room inside for air to expand. Then replace the cap and cover with the velcro sleeve to keep the outside of the tent looking neat and tidy.

5. Finally, place the green flysheet over the air-pod inner-tent the correct way around ('Flex' text in front of doorway) and peg out all pegging points and guylines accordingly.



6. Finally, put your sleeping equipment inside the inner tent and enjoy a luxurious night's sleep!